

ALLEGAN COUNTY ROAD COMMISSION

PROPOSAL FOR TRUCK GRADER BLADES

(For consideration at 11:00 A.M., Wednesday, May 1, 2024)

Board of County Road Commissioners
of the County of Allegan
1308 Lincoln Road
Allegan, MI 49010

We hereby propose to furnish truck grader blades. The blades designated herein meet the minimum requirements as listed below (substitutions will not be permitted).

Purpose for Which Blades Are to Be Used

It is intended that the blades offered under this proposal will be used for heavy duty grading of county roads.

Specifications (drawing attached)

5/8'' x 8'' x 72''
Curved double bevel
Hardened Steel
Punched for 5/8'' plow bolts

1 load	Number of units _____	Per unit _____	Total Price _____	*
2 loads	Number of units _____	Per unit _____	Total Price _____	*
3 loads	Number of units _____	Per unit _____	Total Price _____	*

We can make delivery within _____ days of order placement.

NAME OF COMPANY _____ SIGNATURE & TITLE _____

ADDRESS _____ PHONE NUMBER _____

_____ FAX NUMBER _____

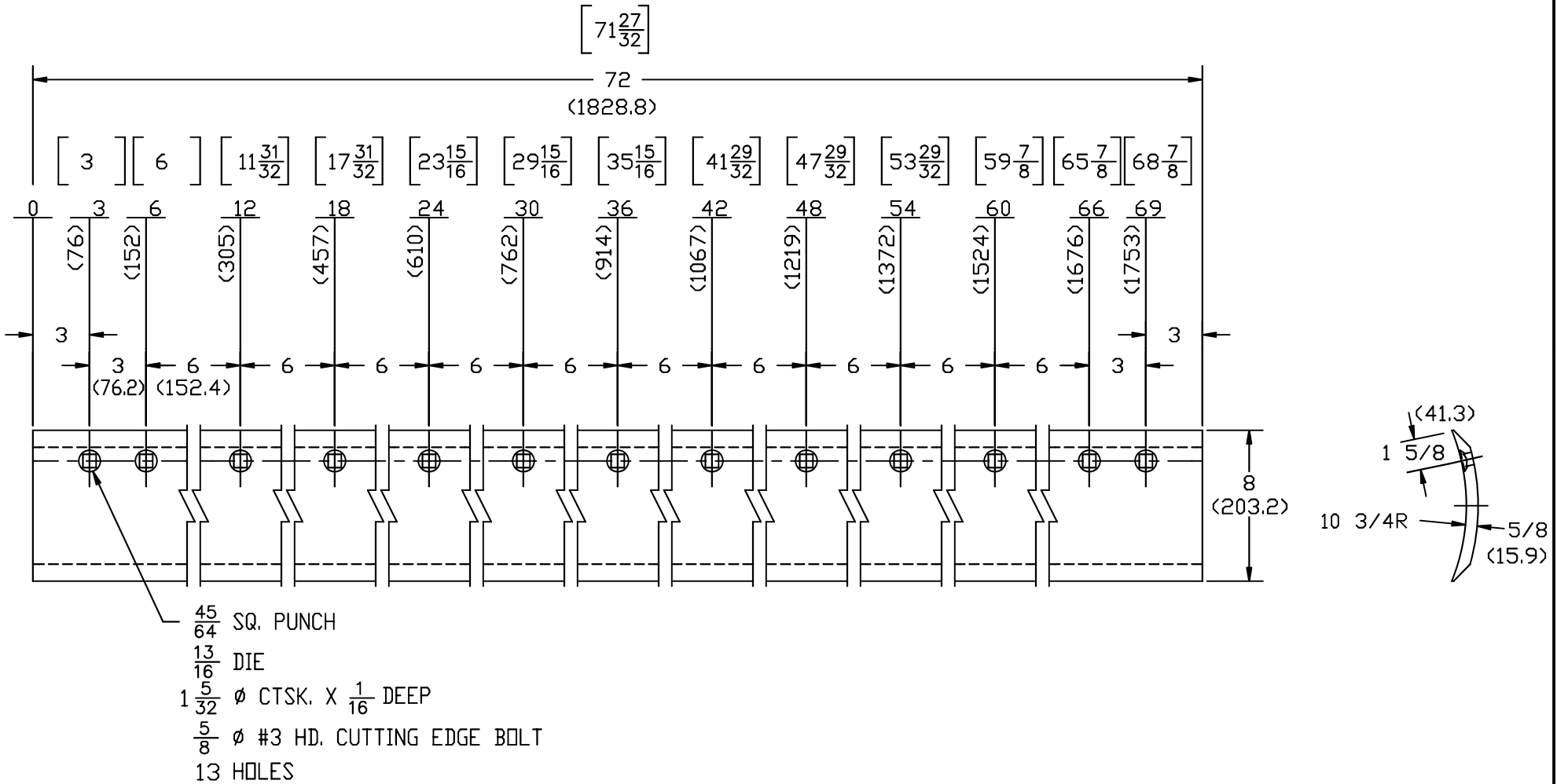
DATE _____ EMAIL _____

NOTE: *This price includes all service, destination and delivery charges and constitutes the complete and total amount of the bid. No other charges will be allowed.

NOTE: Blades shall be bundled in groups of five stacked evenly or delivery may be denied.

NOTE: Blades that do not fit or have flaws will be replaced by supplier within 24 hours of report.

Contract Extension – This contract may be extended one year at a time for three years by mutual written agreement of both parties. Request for extension should be submitted no later than April 1, for the contract to be considered.



[1] PRE-HEAT TREAT DIM.
 (.002 IN./IN. LESS,
 CRITICAL DIM. ONLY)

5/8 X 8 X 72 CDB MT 13 ~ 45/64 SQ. CTSK. HOLES MAXTEMP GRADER EDGE WT. = <u>91</u> LBS. = <u>41</u> KG. () DIMENSIONS IN MILLIMETERS	ITEM NO: 4143504			BUCYRUS BLADES INC. BUCYRUS, OHIO 44820 CONFIDENTIAL: THIS DOCUMENT IS THE EXCLUSIVE PROPERTY OF BUCYRUS BLADES INC. NEITHER THE DOCUMENT NOR ITS CONTENTS MAY BE REPRODUCED WITHOUT EXPRESS WRITTEN PERMISSION OF BUCYRUS BLADES INC.	SCALE: 1 = 8	DRN. <u>BAN</u> DATE <u>12/18/96</u> CHK. <u>BT</u> DATE <u>12/1/97</u> GB41066
		SYM	CHANGES	BY	DATE	